

Alternans in a Mathematical Crustacean Cardiac Model

H. Kitajima (Faculty of Engineering and Design, Kagawa University)

Purpose

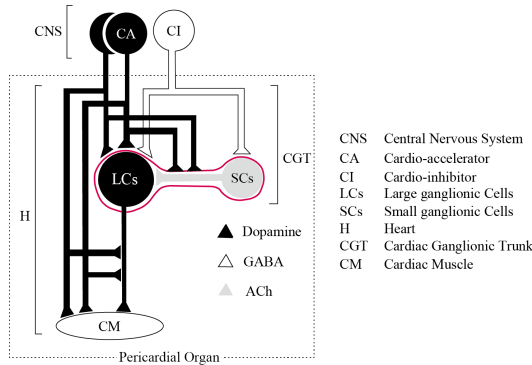


Fig. 1: Cardiac nervous system of the hermit crab

observation of alternans in experiments

a sign of cardiac arrest

reproduction of alternans in a math model

generation mechanism of alternans

Math. model

$$C \frac{dV}{dt} = -I_A - I_{CaT} - I_{CaS} - I_{Kd} - I_{KCa} - I_{Na} - I_l$$

$$I_{CaT} = G_{CaT} m^p h^q (V - E_A)$$

- I_A early outward potassium current
- I_{CaT} transient calcium current
- I_{CaS} persistent calcium current
- I_{Kd} delayed outward potassium current
- I_{KCa} calcium-dependent potassium current
- I_{Na} transient sodium current
- I_l leak current

Results

Numerical calculation

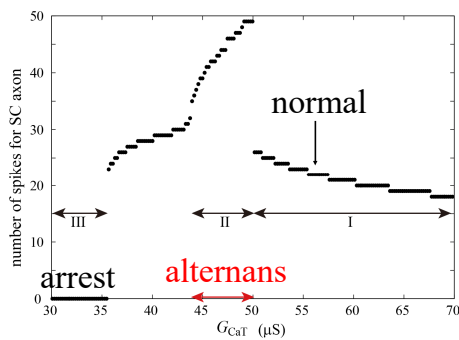


Fig 2: One-parameter bifurcation diagram.

Animal experiment

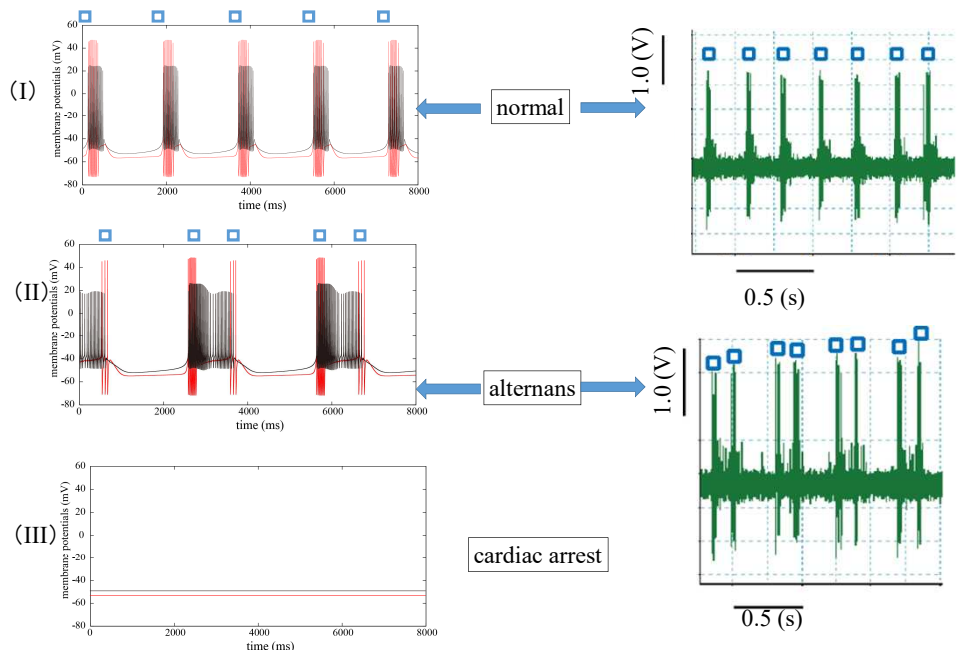


Fig. 3: Simulation results of membrane potentials of SC (black) and LC (red).

Fig. 4: Experimental results of membrane potentials of SC (short) and LC (long).

Conclusion

reproduction of cardiac arrest in a math. model



key : transient calcium current